

4

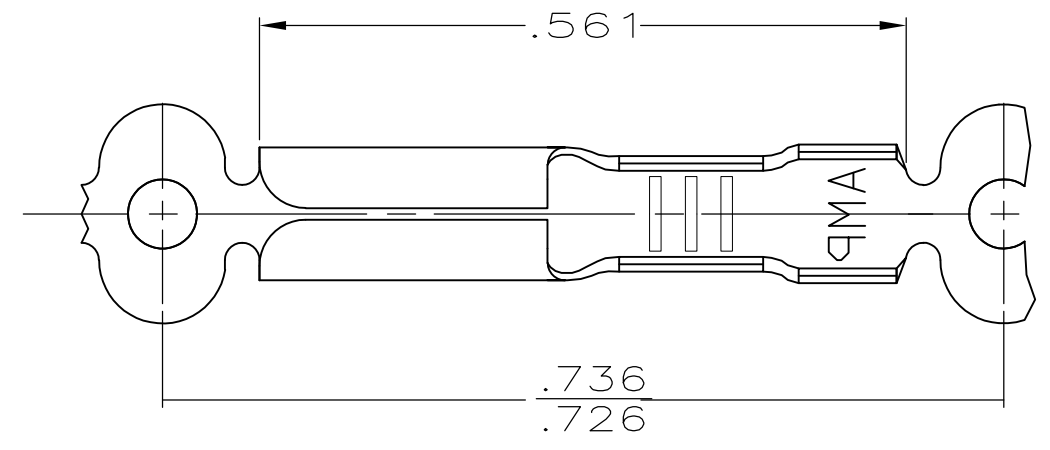
3

2

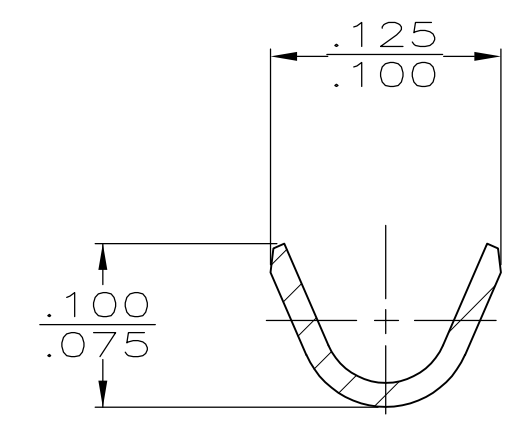
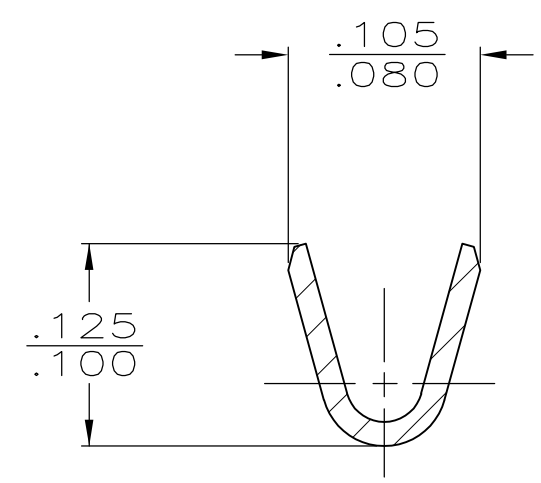
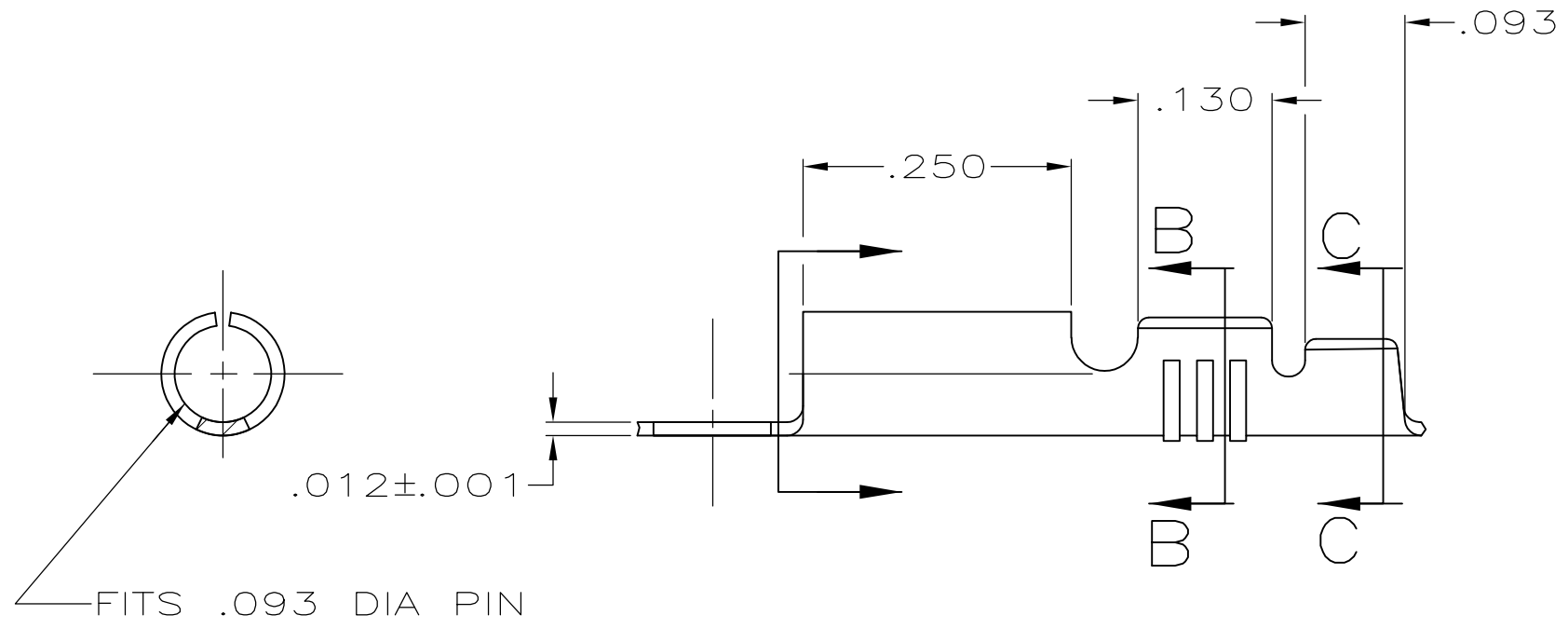
1

THIS DRAWING IS UNPUBLISHED. RELEASED FOR PUBLICATION
 © COPYRIGHT BY TYCO ELECTRONICS CORPORATION. ALL INTERNATIONAL RIGHTS RESERVED.

LOC	DIST	REVISIONS			
P	LTR	DESCRIPTION	DATE	DWN	APVD
AF	50	L1	REVISED PER ECR-09-022790	200CT09	HMR DD



- 1 CONTINUOUS STRIP ON REELS.
- 2 WIRE SIZE IS #24-18 AWG
- 3 INSULATION RANGE IS .045-.085 DIA.
- △5 WITH INTERLEAVING PAPER



FINISH	MATERIAL	PART NO
.000080 MIN TIN PLATE	H04 BRASS	△5 42827-5
-	1/4 HD SST	42827-4
.000080 MIN TIN PLATE	H04 BRASS	42827-2

THIS DRAWING IS A CONTROLLED DOCUMENT.		DWN P FORTNEY 4/18/91	Tyco Electronics Corporation Harrisburg, PA 17105-3608	
DIMENSIONS: INCHES		CHK JR RUTH 4/18/91		
TOLERANCES UNLESS OTHERWISE SPECIFIED:		APVD G YETTER 4/29/91	NAME RECEPTACLE, PIN, .093 DIA	
0 PLC ± - 1 PLC ± - 2 PLC ± - 3 PLC ± .015 4 PLC ± - ANGLES ± -		PRODUCT SPEC -	RESTRICTED TO -	
MATERIAL SEE TABLE		APPLICATION SPEC -	SIZE A3	CAGE CODE 00779
FINISH SEE TABLE		WEIGHT -	DRAWING NO C-42827	REV L1
CUSTOMER DRAWING			SCALE 6:1	SHEET 1 OF 1